

CHAIR RAIL

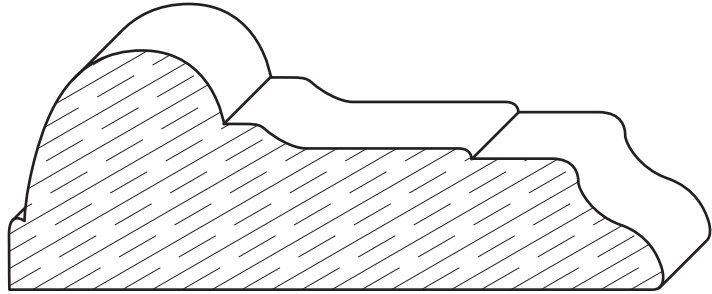
BACKOUTS/RABBETS OPTIONAL)

INQUIRE WITH MILLWORK SALES
FOR THICKNESS AND WIDTH MODIFICATIONS.

Width

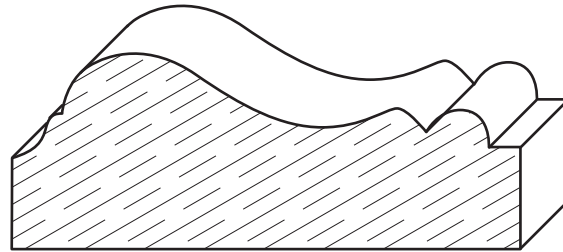
R-301

3 3/8"



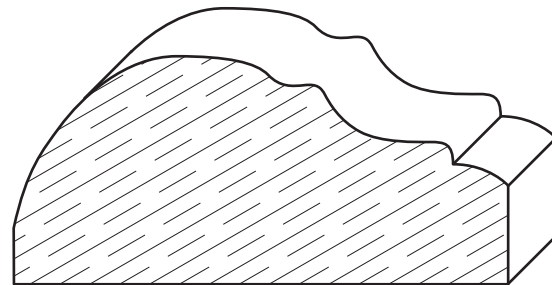
R-302

2 5/8"



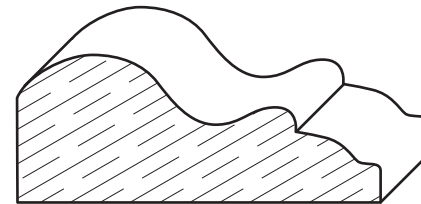
R-303

2 9/16"



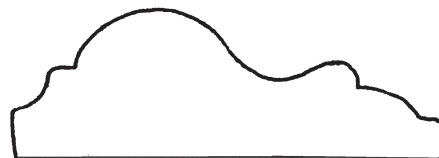
R-304

1 7/8"



R-304A

2 1/4"



R-1

CHAIR RAIL

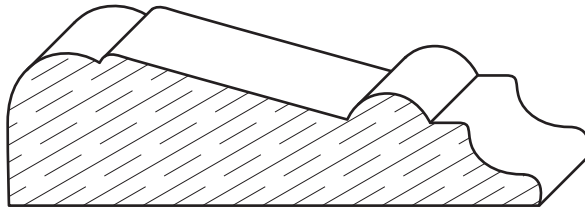
BACKOUTS/RABBETS OPTIONAL)

INQUIRE WITH MILLWORK SALES
FOR THICKNESS AND WIDTH MODIFICATIONS.

Width

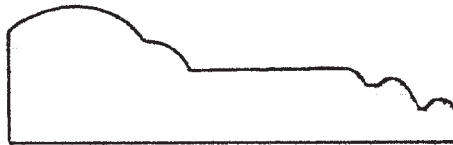
R-305

2 3/4"



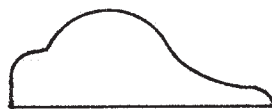
R-306

2 5/16"



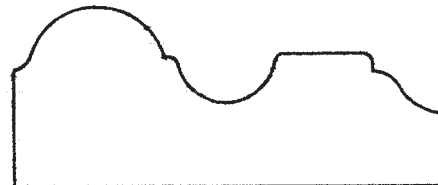
R-307

1 3/8"



R-308

2 1/4"



R-309

2"



R-2

CHAIR RAIL

BACKOUTS/RABBETS OPTIONAL)

INQUIRE WITH MILLWORK SALES
FOR THICKNESS AND WIDTH MODIFICATIONS.

Width

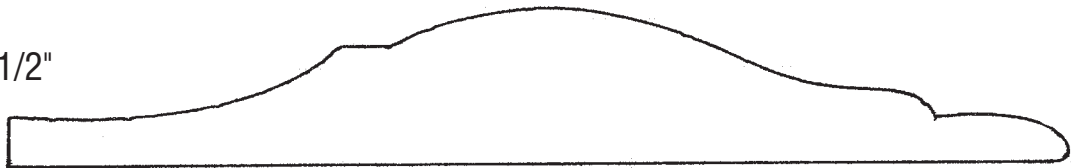
R-310

3 1/8"



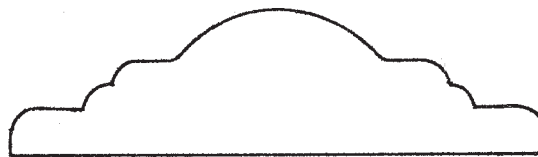
R-311

5 1/2"



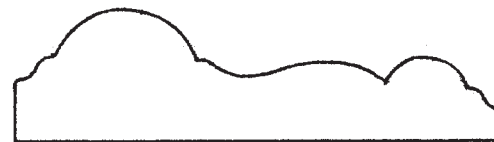
R-312

2 3/4"



R-313

2 1/2"



R-314

2 3/8"



CHAIR RAIL

BACKOUTS/RABBETS OPTIONAL)

INQUIRE WITH MILLWORK SALES
FOR THICKNESS AND WIDTH MODIFICATIONS.

Width

R-315

1 3/4"



R-316

3 1/2"



R-317

2"



R-318

3 1/2"



R-319


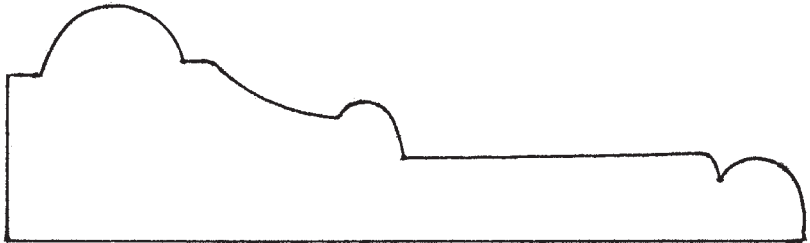



1 5/8"



CHAIR RAIL

BACKOUTS/RABBETS OPTIONAL)



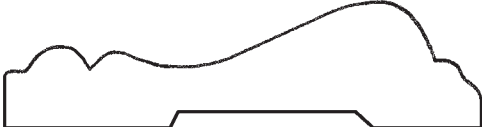


INQUIRE WITH MILLWORK SALES
FOR THICKNESS AND WIDTH MODIFICATIONS.

	<u>Width</u>	
R-320	2"	
R-321	4 1/8"	
R-322	1 3/4"	
R-323	1 3/4"	
R-324	1 1/4"	

CHAIR RAIL

BACKOUTS/RABBETS OPTIONAL)

INQUIRE WITH MILLWORK SALES
FOR THICKNESS AND WIDTH MODIFICATIONS.

	<u>Width</u>	
R-325	2"	
R-326	3 3/4"	
R-327	2 7/16"	
R-328	1 1/2"	
R-329	1 3/8"	

CHAIR RAIL

BACKOUTS/RABBETS OPTIONAL)

INQUIRE WITH MILLWORK SALES
FOR THICKNESS AND WIDTH MODIFICATIONS.

Width

R-330

2"



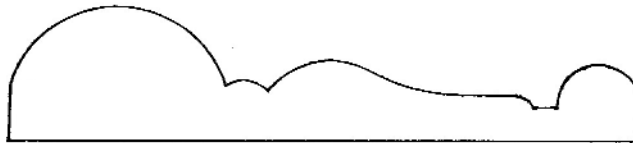
R-331

4"



R-332X

3 1/4"



B-106

5 1/2"



CHAIR RAIL

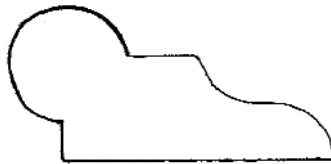
BACKOUTS/RABBETS OPTIONAL)

INQUIRE WITH MILLWORK SALES
FOR THICKNESS AND WIDTH MODIFICATIONS.

Width

R-333

1 11/16"



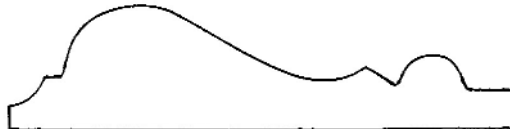
R-334X

1 1/2"



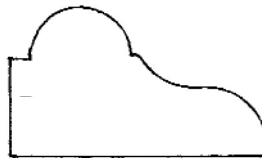
R-335

2 5/8"



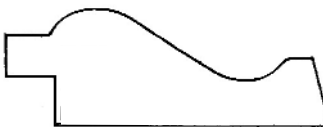
R-336

1 5/16"



R-337

1 5/8"



CHAIR RAIL

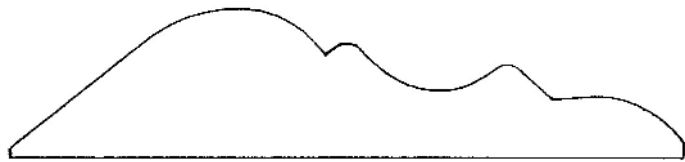
BACKOUTS/RABBETS OPTIONAL)

INQUIRE WITH MILLWORK SALES
FOR THICKNESS AND WIDTH MODIFICATIONS.

Width

R-338

3 1/2"



R-339X

3 1/4"



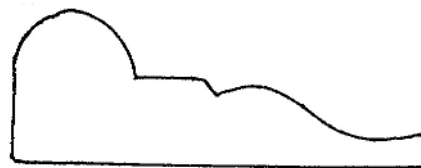
R-340

1 3/4"



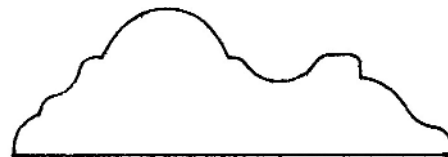
R-341

2 1/8"



R-342

2 1/4"



CHAIR RAIL

BACKOUTS/RABBETS OPTIONAL)

INQUIRE WITH MILLWORK SALES
FOR THICKNESS AND WIDTH MODIFICATIONS.

Width

R-343

5 1/2"



R-344

1 5/8"

