

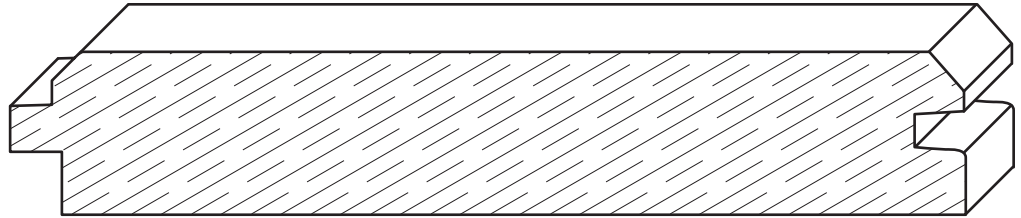
TONGUE and GROOVE

INQUIRE WITH MILLWORK SALES
FOR THICKNESS AND WIDTH MODIFICATIONS.

Width

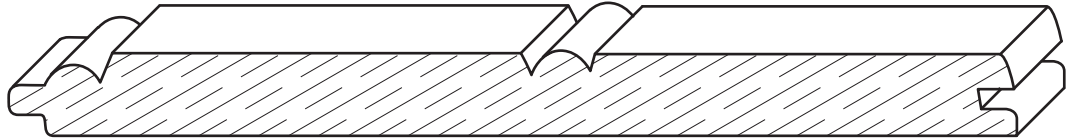
T-501

8"



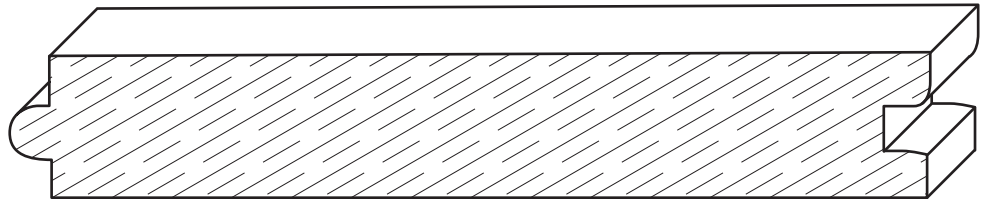
T-502

5 1/4"



T-503

8 1/2"





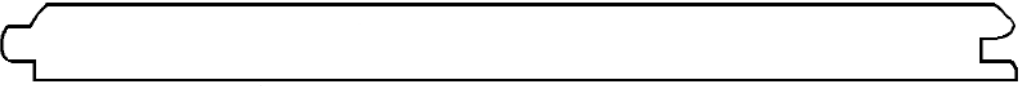

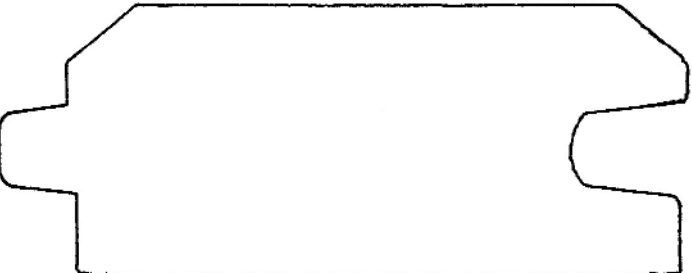
T-504

7 1/4"



TONGUE and GROOVE

INQUIRE WITH MILLWORK SALES
FOR THICKNESS AND WIDTH MODIFICATIONS.

	<u>Width</u>	
T-505	3 5/16"	
T-506 Ship Lap	3 5/8"	
T-507	8 1/2"	
T-508	5"	
T-509	3 3/16"	

TONGUE and GROOVE

INQUIRE WITH MILLWORK SALES
FOR THICKNESS AND WIDTH MODIFICATIONS.

Width

T-510

3 1/4"

